

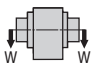
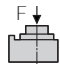
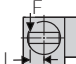
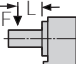
RWB-250K-2, 320K-2, 400K-2, 500K-2

HEAVY DUTY • MULTI-FACE PLATE, MULTI-SPINDLE TABLE

The RWB-Series dual face plate rotary tables are designed for use on pallet equipped horizontal machining centers. RWB-K dual face plate tables utilize a powerful dual disc hydraulic clamping mechanism, and are available with a built-in air/hydraulic booster.



RWB-400K-2

Table Model		RWB-250K-2	RWB-250K-2,S	RWB-320K-2	RWB-320K-2,S	RWB-400K-2	RWB-500K-2	
Table diameter	mm	250	250	320	320	400	500	
Center height	mm	160	160	210	210	255	310	
Center bore	Nose Diameter	mm	95H7	95H7	130H7	130H7	190H7	220H7
Table T-slot width		12H7	12H7	14H7	14H7	14H7	18H7	
Guide block width		18h7						
Servo motor (Fanuc)*		Alpha 8i	Alpha 8is	Alpha 12i	Alpha 22is	Alpha 12i	Alpha 12i	
Maximum motor speed		rpm	4,000	4,000	4,000	4,000	4,000	
Speed reduction ratio		1/90	1/45	1/90	1/45	1/90	1/180	
Maximum table speed		rpm	44.4	88.9	44.4	88.9	22.2	
Inertia converted into motor shaft		$\times 10^{-3}\text{kg}\cdot\text{m}^2$.94	.94	3.04	3.04	4.28	3.00
Clamp system**		Hydraulic						
Clamp torque @500psi		Nm (ft. lbs.)	1,000 (737)	1,000 (737)	2,450 (1,806)	2,450 (1,806)	4,200 (3,095)	7,600 (5,601)
Indexing accuracy		arc sec.	±7					
Net Weight		kg (lbs.)	105 (231)	105 (231)	185 (407)	185 (407)	300 (660)	550 (1,210)
Allowable wheel torque		Nm (ft. lbs.)	581 (428)	581 (428)	939 (692)	939 (692)	1,666 (1,228)	3,276 (2,414)
Allowable work inertia		$\text{kg}\cdot\text{m}^2$	2.34	2.34	5.12	5.12	9.7	18.2
Allowable work weight per face plate		kg (lbs)	75 (165) [150 (330)]	75 (165) [150 (330)]	100 (220) [200 (440)]	100 (220) [200 (440)]	125 (275) [250 (550)]	250 (550) [600 (1,320)]
		N (lbf)	19,600 (4,390)	19,600 (4,390)	29,400 (6,586)	29,400 (6,586)	39,200 (8,781)	49,000 (10,976)
		Nm (ft. lbs.)	980 (722)	980 (722)	2,450 (1,806)	2,450 (1,806)	4,200 (3,095)	6,100 (4,496)
Allowable load when table clamped		Nm (ft. lbs.)	980 (722)	980 (722)	3,626 (2,672)	3,626 (2,672)	5,880 (4,334)	13,132 (9,678)

* Other motors & RPM available

** Booster optional

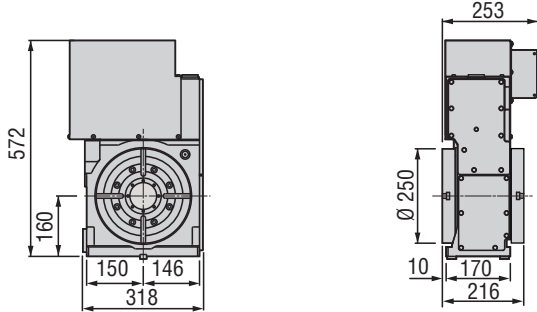
Specifications subject to change without notice

NC Rotary Tables ▶ Multi-Face Plate, Multi-Spindle Models

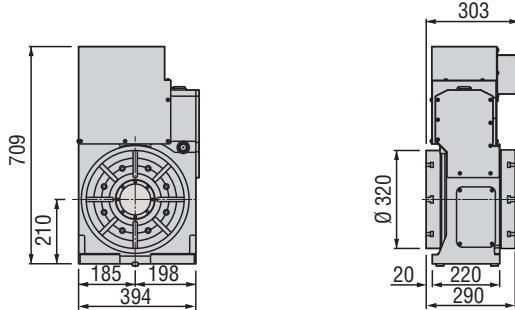
Dimensions

Drawings not to scale • Dimensions = mm

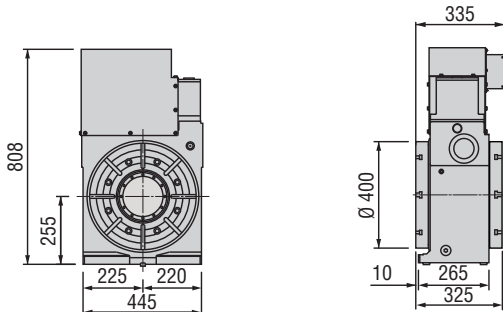
RWB-250K-2



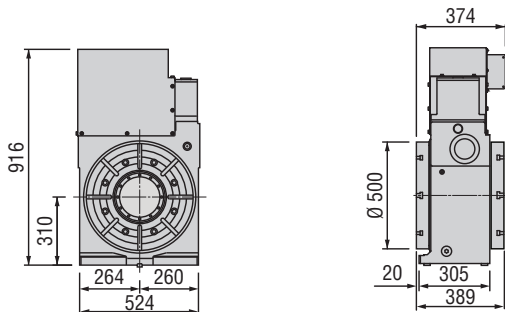
RWB-320K-2



RWB-400K-2



RWB-500K-2

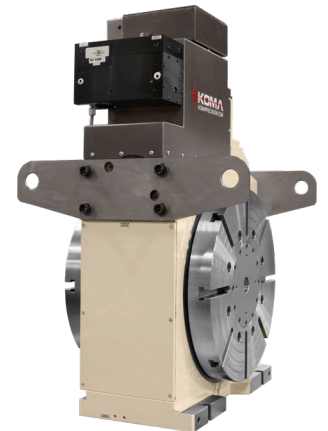


The dimensions above are for tables with a FANUC servo motor. Other motors available (dimensions may increase).

RWB-500K-2 with custom swivel box



RWB-500K-2 with custom swivel box



Options & Accessories

TPC NC Controller	p.62
Chucks	p.74
Tailstock	p.75
Support Spindle	p.77
Face Plate	p.77
Encoder / Scale	p.78
Pull Stud Device	p.79
Rotary Joint	p.79
Booster	p.80
PVC or Steel Cables	p.81

Clamping Block and Bolt

Dimensions = mm

	Type	Q'ty	T-Slot Width	A	B	C	D	E	F	G	H	I	J	K	L	M
RWB-250K-2	I	4	18	25	12	80	12	33	35	22	21	11	65	40	28	16
RWB-320K-2	I	4	18	30	15	90	16	31	43	25	21	11	70	46	28	16
RWB-400K-2	I	4	18	30	15	90	16	31	43	25	21	11	70	46	28	16
RWB-500K-2	I	4	18	40	20	110	18	42	50	25	21	11	70	46	28	16

Note: When using a machine with a T-slot pitch other than the above, use suitable clamping blocks and bolts that are available on the market, or order custom-made ones from KOMA (opt.)

Type I

