

KOMA HYDRAULIC DUAL CLAMP

EFFICIENTLY CLAMP AND UNCLAMP WORKHOLDING

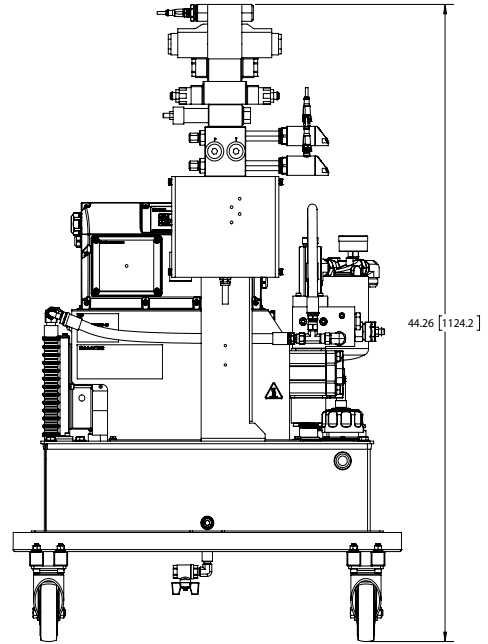
COMPLETE HYDRAULICS SOLUTION



- Clamp and unclamp basic workholding (vises, chucks, etc.)
- Product supported by Koma Precision

HYDRAULIC PUMP DIMENSIONS

Reference Only • Detailed drawings available upon request



HIGH PRODUCTION PUMP SPECS

LIVE HYDRAULIC POWER UNIT	KDC (Koma Dual Clamp)
PSI (Pounds per square inch)	3,000
GPM (Gallons per minute)	2.5 gal
Electricity	15amp/3 phase/220v
Tank Size	5 gal
Valve	2 Double Acting

Other pump configurations available • Specifications subject to change without notice

STANDARD PUMP PACKAGE INCLUDES:

Hydraulic Power Unit
Wiring with Quick Connectors

CUSTOMER RESPONSIBLE FOR INTEGRATION OF HYDRAULIC PUMP UNIT.
QUOTE FOR KOMA INTEGRATION SERVICES AVAILABLE UPON REQUEST.

OPTIONS & ACCESSORIES

Additional Accessories Available

HOSE KIT UP TO 20'



FITTINGS KIT



AIR CHECK KIT



OVERHEAD ARM ASSEMBLY



WHEELED CART



PLC CONTROLLER

