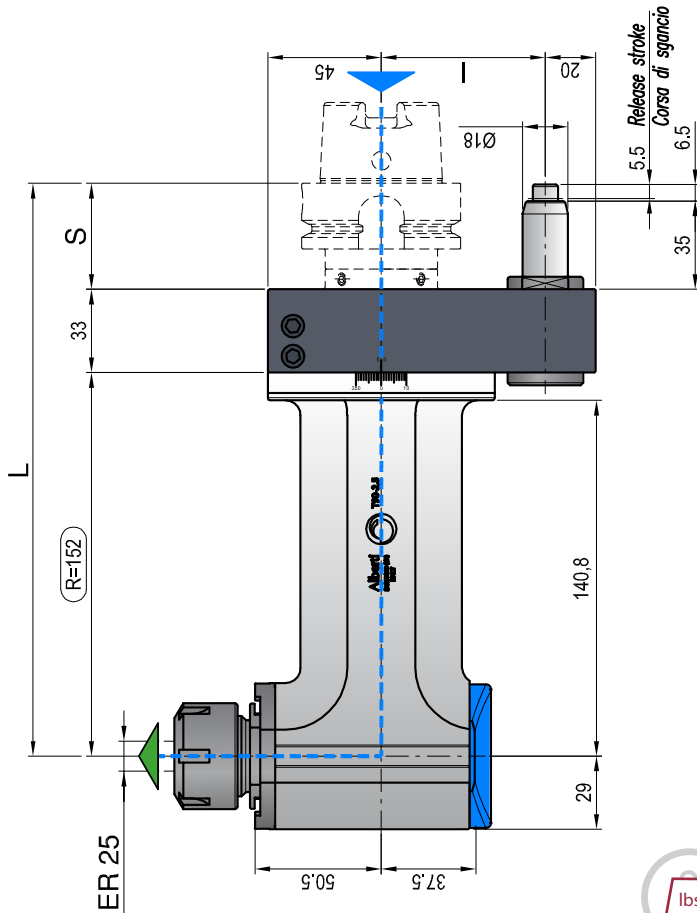


Angle Head Dimensions

Reference Only • Detailed drawings available upon request



Weight
14.74lbs

Direction of rotation same as machine spindle

Max coolant pressure 100bar, 1450 psi

Technical Features



Ratio
1.1



RPM
9.000 min⁻¹



Max. axial load
510 N



Torque
50 Nm



Tapping
Max. M12



Collet
ER-25
(ø1/16 mm)

INPUT TAPER	SIZE	I	S	L
DIN-69871	40	65-80	35	222
CAT	50	80-(110*)	35	222
MAS-BT	40	65-80-(110*)	35	222
	50	80-(110*)	41	229
HSK	63-80	65-80-(110*)	42	230
	100	80-(110*)	45	233
CAPTO	C5-C6	65-80-(110*)	38	225
	C8	80-(110*)	40	228
KM	63	65-80-(110*)	40	228

- Also available without coolant.
Maximum speed 4,000 min⁻¹

PLUS

- Dry running also possible (6,000 min⁻¹)
- Increased torque thanks to bigger gears
- New drive system with pins for gear set
- One-hand wrench to tighten the tool