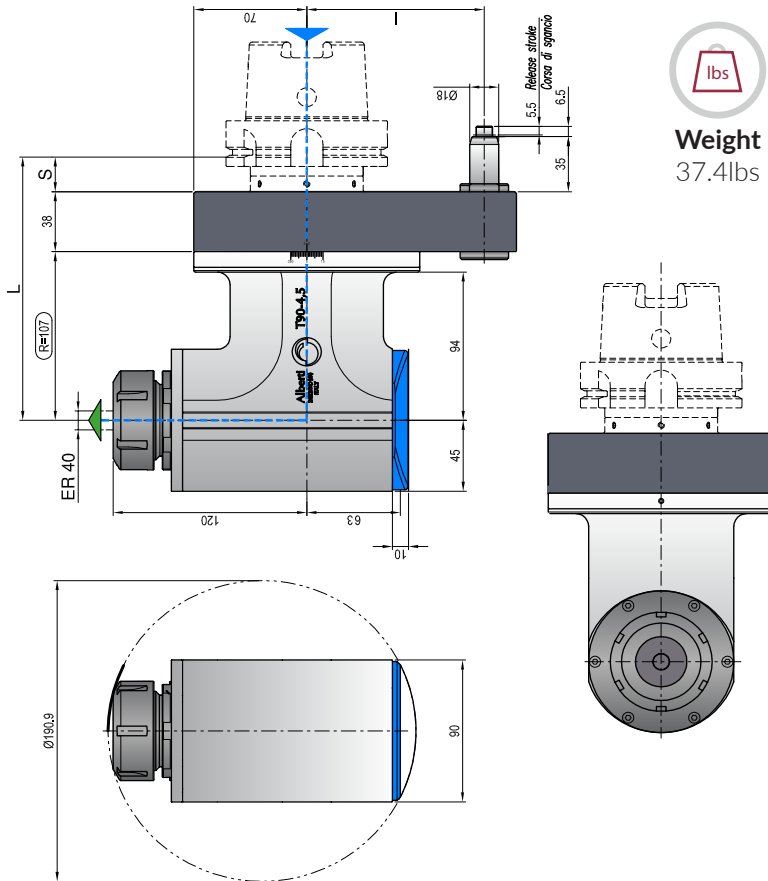


Angle Head Dimensions

Reference Only • Detailed drawings available upon request



Weight
37.4lbs

Technical Features



Ratio

1.1



RPM

6.000 min⁻¹



Max. axial load

1.750 N



Torque

90 Nm



Tapping

Max. M20



Collet

ER-40
(ø3/30 mm)

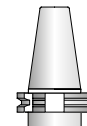
INPUT TAPER

SIZE

I

S

L



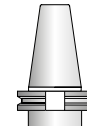
DIN-69871

50

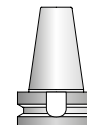
110

35

180



CAT



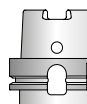
MAS-BT

50

110

41

186



HSK

80

110

42

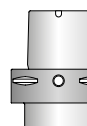
187

100

110

45

190



CAPTO

C8

110

40

185

◀ Direction of rotation same as machine spindle

▶ Max coolant pressure 100bar, 1450 psi

- Also available without coolant.
Maximum speed 4,000 min⁻¹

PLUS

- Dry running also possible (4,000 min⁻¹)
- Increased torque thanks to bigger gears
- New drive system with pins for gear set
- One-hand wrench to tighten the tool