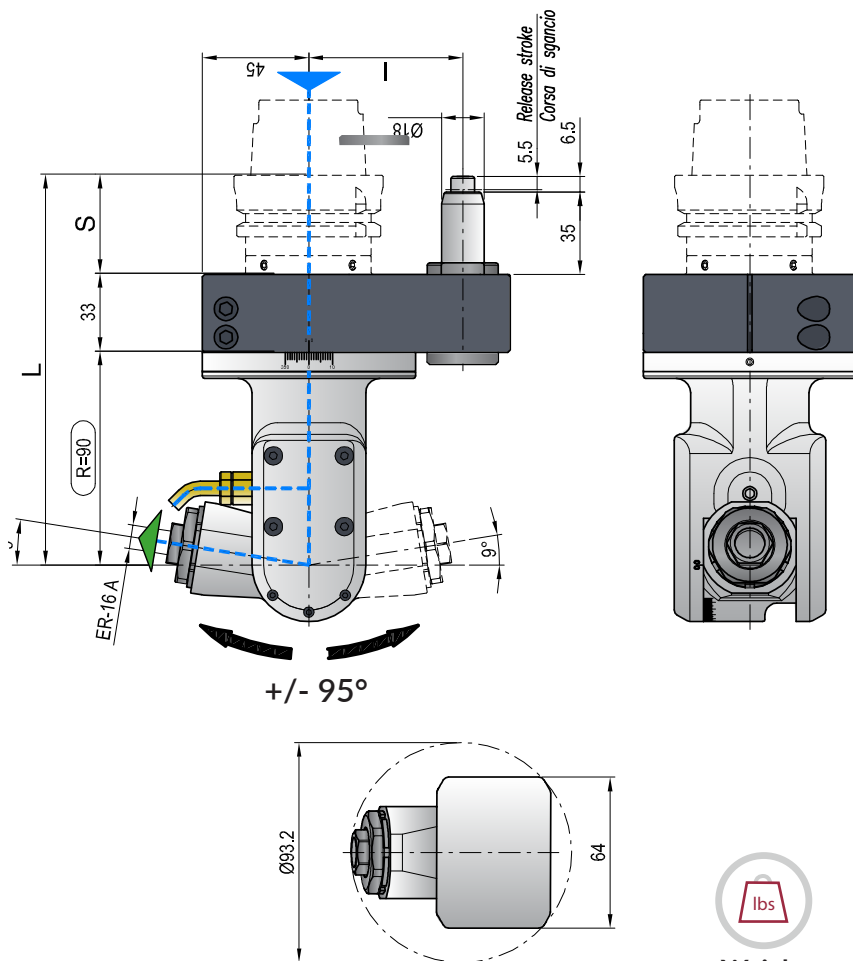


Angle Head Dimensions

Reference Only • Detailed drawings available upon request



Weight
9.24lbs

- Direction of rotation same as machine spindle
- Max coolant pressure 100bar, 1450 psi

Technical Features



Ratio
1.1



RPM
8.000 min⁻¹



Max. axial load
450 N



Torque
15 Nm



Tapping
Max. M6



Collet
ER-16A
(ø1/10 mm)

INPUT TAPER		SIZE	I	S	L
	DIN-69871	40	65-80-(110*)	35	158
	CAT	50	80-(110*)	35	158
	MAS-BT	40	65-80-(110*)	35	158
		50	80-(110*)	41	164
	HSK	63-80	65-80-(110*)	42	165
		100	80-(110*)	45	168
	CAPTO	C5-C6	65-80-(110*)	38	161
		C8	80-(110*)	40	163
	KM	50-63	65-80-(110*)	40	163

*Dual contact spindles optional

PLUS

- Available without coolant. High Speed 4.000 min⁻¹
- Increased torque thanks to bigger gears
- New drive system with pins for gear set
- One-hand wrench to tighten the tool